



15F3500 with Option Baggage Cart



Building Quality Ground Support Products Since 1961

- 15F3212 Storable Tarp Option
- 15F3324 Fold Down Side Pannels
- 5' x 10' open cart
- Removable end panels
- 8,000 lb capacity with Standard Solid Tires
- Pneumatic tire option, reduces capacity to 4,000 lbs
- E-type rear hitch
- Towbar actuated parking brake
- V - floor
- 2" dia. 5th wheel spindle with Timken bearings
- Durable powder coat finish

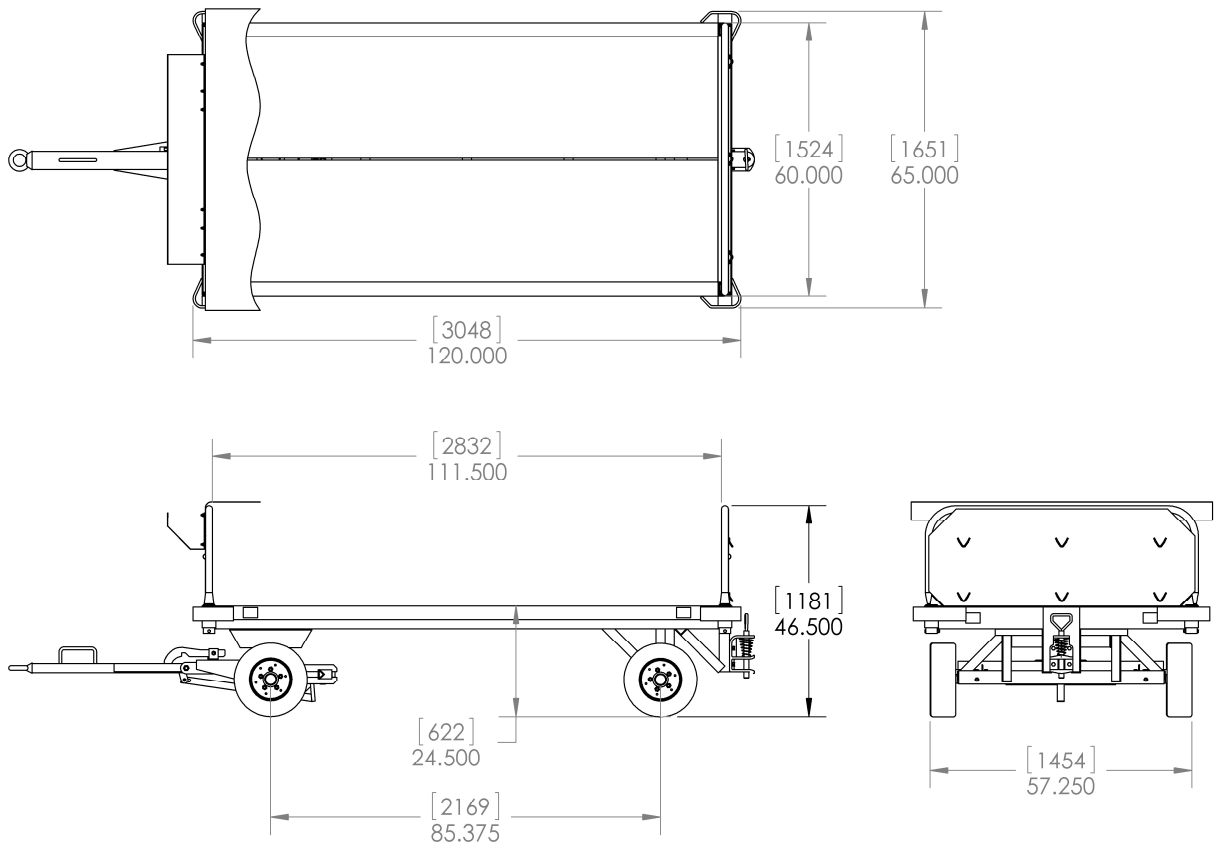
CLYDE

Clyde Machines
P.O. Box 194
1150 Hwy 55 N.
Glenwood, MN 56334 USA
(320) 634-4504
(320) 634-4506 Fax

www.clydemachines.com

15F3500

Baggage Cart



Shipping Information

- Weight - 1025 lbs
- Width - 65"
- Height - 24 1/2" w/o side panels
46 1/2" w/ side panels
- Length - 144" towbar up
164" towbar down

CLYDE

Clyde Machines
P.O. Box 194
1150 Hwy 55 N.
Glenwood, MN 56334 USA
(320) 634-4504
(320) 634-4506 Fax

www.clydemachines.com